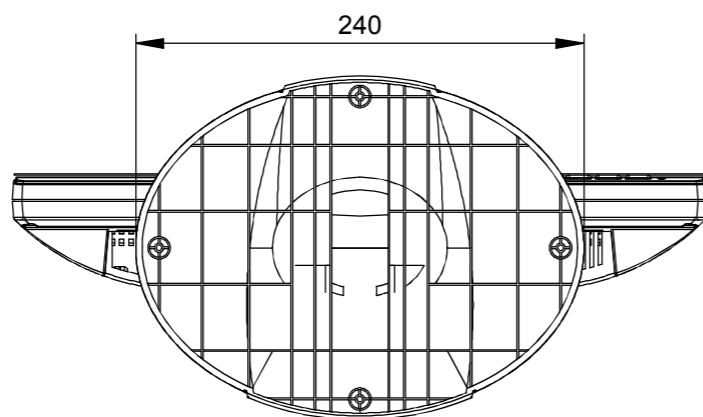
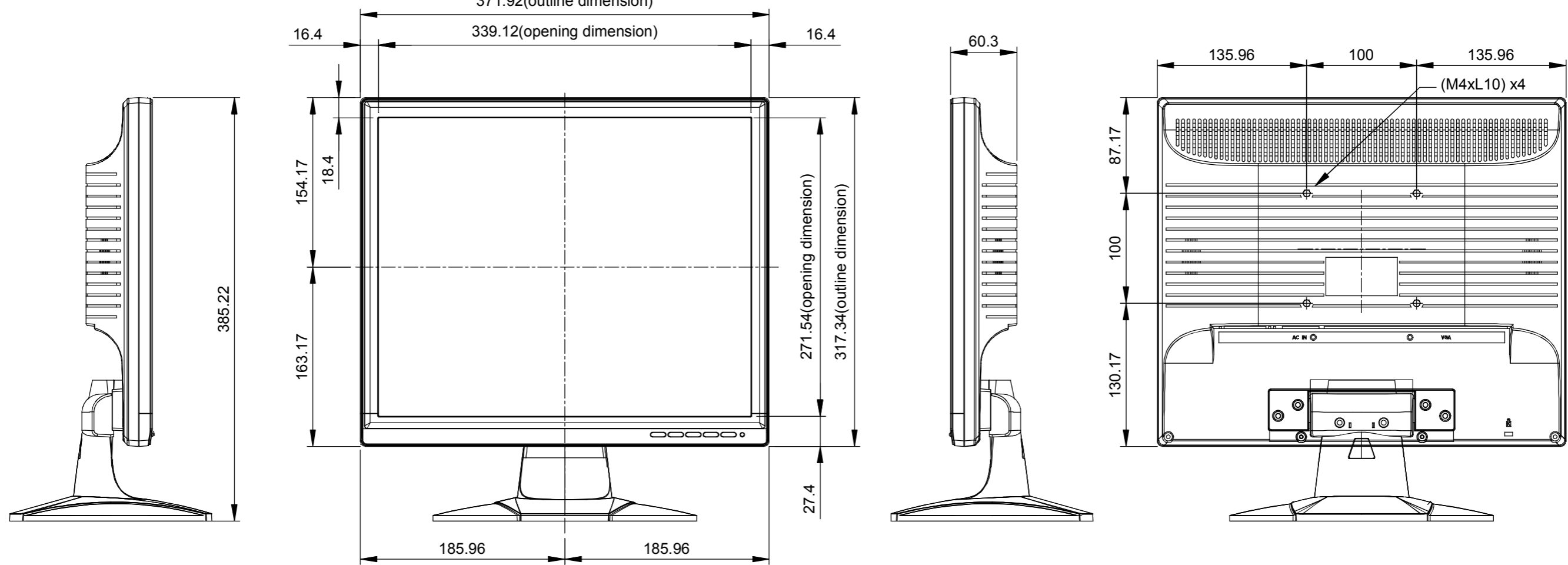


SC-17AH
NET WEIGHT: 2.9KG (with Stand)
2.74KG (w/o Stand)



SPECIFICATIONS SUBJECT TO CHANGE WITHOUT NOTICE.



www.agneovo.com

Model Name:

SC-17AH

THIS DRAWING ON THIS PRINT AND INFORMATION BELONG WITH AG Neovo. ANY REPRODUCTION IN PART OR WHOLE WITHOUT WRITTEN PERMISSION OF AG Neovo IS PROHIBITED.



SCALE 1:1 UNITS MM V.01